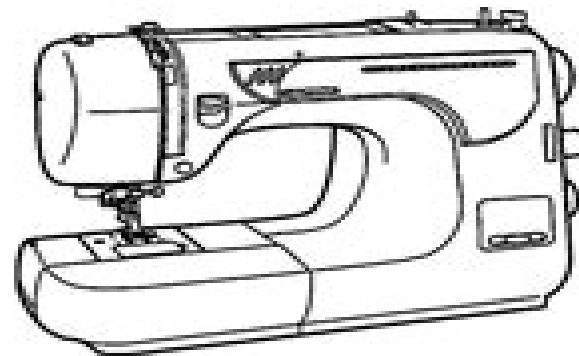


SINGER®



Model/Modelo/Modèle 2638

**INSTRUCTION MANUAL
MANUAL DE INSTRUCCIONES
MODE D'EMPLOI**

Singer 2638 Manual

**Ernest L. Mazzaferri, Clive Harmer, Ujjal
K. Mallick, Pat Kendall-Taylor**

Singer 2638 Manual:

Moody's Manual of Railroads and Corporation Securities ,1906 *Moody's Manual of Railroads and Corporation Securities. Government, State and Municipal Supplement* ,1906 **The Investor's Monthly Manual** ,1919 **Mergent International Manual** ,2001 **Moody's Manual of Investments** John Sherman Porter,1952 American government securities 1928 53 in 5 annual vols v 1 Railroad securities 1952 53 Transportation v 2 Industrial securities v 3 Public utility securities v 4 Government securities 1928 54 v 5 Banks insurance companies investment trusts real estate finance and credit companies 1928 54 **Maine Register; Or, State Year-book and Legislative Manual** ,1991 **Moody's Manual of Investments: American and Foreign** ,1939 **Singer: The Complete Photo Guide to Sewing, 3rd Edition** Nancy Langdon,2017-11-21 With updated photography and techniques this is the definitive guide to all things sewing whether you re working with garments or decor **Moody's OTC Industrial Manual** ,1992 Companies traded over the counter or on regional conferences **The MD Anderson Manual of Medical Oncology, Third Edition** Hagop M. Kantarjian,Robert A. Wolff,2016-05-22 Authoritative hands on desk reference for the practicing oncologist from the leader in the field of cancer management and treatment A Doody s Core Title for 2019 The MD Anderson Manual of Medical Oncology details the personalized multidisciplinary approach to cancer management and treatment of common and rare cancers pioneered by The University of Texas MD Anderson Cancer Center Its pragmatic presentation can provide valuable insights at any stage of your career This completely updated third edition reflects the most recent advancements including expanded coverage of the rapidly evolving area of biological and immune therapies of cancer many developed at MD Anderson It emphasizes and discusses continuing developments in diagnostic procedures which include the incorporation of new molecular markers and revised staging systems It also reinforces how imaging and molecular profiling can prevent administration of overly aggressive toxic treatment regimens or invasive surgery to treat superficial or indolent tumors To help you quickly assess cancer management options every chapter includes numerous tables diagrams imaging photographs and prescriptive advice Evidence based treatment algorithms in the form of flowcharts and diagrams shaped by the clinical experience of MD Anderson s world class faculty enhance the text The third edition features important new chapters on key topics such as Pediatric Cancers Molecular Biomarkers and Cancer Immuno Oncology Targeted Therapies in Cancer Onco Cardiology Pulmonary Complications of Cancer Therapy Applied Biostatistics Offering the perfect balance of narrative text summary tables and clinical photographs many in full color there is truly not a more accessible up to date or authoritative clinician s guide to the medical management of patients with cancer and its complications than The MD Anderson Manual of Medical Oncology **Moody's Industrial Manual** ,1963 *Mergent OTC Industrial Manual* ,2003 **Mergent Bank & Finance Manual** ,2001 *Mindful Communication* Frits Koster,Jetty Heynekamp,Victoria Norton,2023-04-18 Skilful communication and warm connection are needed today more than ever before This book explores the potential of mindfulness skills and how

they can be applied to communication in a range of settings Experienced mindfulness teachers and trainers Frits Koster Jetty Heynekamp and Victoria Norton provide an outline of the mechanisms underlying mindful communication while a selection of experts presents a concise overview of six communication programs that are becoming well known in the mindfulness world They describe the background and structure of each course and offer tasters in the form of short exercises and online audio downloads Each chapter is followed up by further resources reading lists and web addresses Mindful Communication will be of interest to professionals in mental health social care education and to anyone who wishes to listen and speak with more wisdom and compassion

Orthopedic Physical Assessment - E-Book David J. Magee, 2013-12-01 Newly updated this full color text offers a rich array of features to help you develop your musculoskeletal assessment skills Orthopedic Physical Assessment 6th Edition provides rationales for various aspects of assessment and covers every joint of the body as well as specific topics including principles of assessment gait posture the head and face the amputee primary care and emergency sports assessment Artwork and photos with detailed descriptions of assessments clearly demonstrate assessment methods tests and causes of pathology The text also comes with an array of online learning tools including video clips demonstrating assessment tests assessment forms and more Thorough evidence based review of orthopedic physical assessment covers everything from basic science through clinical applications and special tests 2 400 illustrations include full color clinical photographs and drawings as well as radiographs depicting key concepts along with assessment techniques and special tests The use of icons to show the clinical utility of special tests supplemented by evidence based reliability validity tables for tests techniques on the Evolve site The latest research and most current practices keep you up to date on accepted practices Evidence based reliability and validity tables for tests and techniques on the EVOLVE site provide information on the diagnostic strength of each test and help you in selecting proven assessment tests A Summary Pr cis of Assessment at the end of each chapter serves as a quick review of assessment steps for the structure or joint being assessed Quick reference data includes hundreds of at a glance summary boxes red flag and yellow flag boxes differential diagnosis tables muscle and nerve tables and classification normal values and grading tables Case studies use real world scenarios to help you develop assessment and diagnostic skills Combined with other books in the Musculoskeletal Rehabilitation series Pathology and Intervention Scientific Foundations and Principles of Practice and Athletic and Sport Issues this book provides the clinician with the knowledge and background necessary to assess and treat musculoskeletal conditions NEW Online resources include video clips assessment forms text references with links to MEDLINE abstracts and more NEW Video clips demonstrate selected movements and the performance of tests used in musculoskeletal assessment NEW Text references linked to MEDLINE abstracts provide easy access to abstracts of journal articles for further review NEW Forms from the text with printable patient assessment forms can be downloaded for ease of use NEW Updated information in all chapters includes new photos line drawings boxes and tables NEW The use of icons to show the clinical utility of special tests supplemented by

evidence based reliability validity tables for tests techniques on the Evolve site [Practical Management of Thyroid Cancer](#)
Ernest L. Mazzaferri, Clive Harmer, Ujjal K. Mallick, Pat Kendall-Taylor, 2006-06-22 Written by a multidisciplinary team of experts involved in the development of standards and guidelines for its management in the USA UK Europe and Asia the book contains succinct and knowledgeable summaries of the management of thyroid cancer Every chapter describes a different aspect of care and provides clear and detailed information about caring for patients with this group of tumors This is an invaluable reference to health care professionals from primary to tertiary care involved in the management of thyroid cancer such as clinical nurse specialists clinical psychologists family medicine practitioners specialists in palliative care especially for anaplastic thyroid cancers geneticists and surgeons endocrinologists oncologists pathologists and radiologists

Appendix to the House and Senate Journals of the ... General Assembly of the State of Missouri Missouri.

General Assembly, 1919 *Orthopedic Physical Assessment* David J. Magee, BPT, PhD, CM, 2013-12-04 Newly updated this full color text offers a rich array of features to help you develop your musculoskeletal assessment skills *Orthopedic Physical Assessment* 6th Edition provides rationales for various aspects of assessment and covers every joint of the body as well as specific topics including principles of assessment gait posture the head and face the amputee primary care and emergency sports assessment Artwork and photos with detailed descriptions of assessments clearly demonstrate assessment methods tests and causes of pathology The text also comes with an array of online learning tools including video clips demonstrating assessment tests assessment forms and more Thorough evidence based review of orthopedic physical assessment covers everything from basic science through clinical applications and special tests 2 400 illustrations include full color clinical photographs and drawings as well as radiographs depicting key concepts along with assessment techniques and special tests The use of icons to show the clinical utility of special tests supplemented by evidence based reliability validity tables for tests techniques on the Evolve site The latest research and most current practices keep you up to date on accepted practices Evidence based reliability and validity tables for tests and techniques on the EVOLVE site provide information on the diagnostic strength of each test and help you in selecting proven assessment tests A Summary Pr cis of Assessment at the end of each chapter serves as a quick review of assessment steps for the structure or joint being assessed Quick reference data includes hundreds of at a glance summary boxes red flag and yellow flag boxes differential diagnosis tables muscle and nerve tables and classification normal values and grading tables Case studies use real world scenarios to help you develop assessment and diagnostic skills Combined with other books in the Musculoskeletal Rehabilitation series Pathology and Intervention Scientific Foundations and Principles of Practice and Athletic and Sport Issues this book provides the clinician with the knowledge and background necessary to assess and treat musculoskeletal conditions NEW Online resources include video clips assessment forms text references with links to MEDLINE abstracts and more NEW Video clips demonstrate selected movements and the performance of tests used in musculoskeletal assessment NEW Text references linked to

MEDLINE abstracts provide easy access to abstracts of journal articles for further review NEW Forms from the text with printable patient assessment forms can be downloaded for ease of use NEW Updated information in all chapters includes new photos line drawings boxes and tables NEW The use of icons to show the clinical utility of special tests supplemented by evidence based reliability validity tables for tests techniques on the Evolve site **Catalog of Copyright Entries. Third Series** Library of Congress. Copyright Office,1968 Microorganisms in Polar Regions: Understanding Their Survival Strategies for a Sustainable Future Prashant Kumar Singh, Shiv Mohan Singh, Trista J. Vick-Majors, 2024-07-02 Scientific research on cold adapted microorganisms specifically polar microbes is of great interest since Arctic and Antarctic regions harbor diverse and active populations of microorganisms However these microorganisms are subject to impacts of environmental perturbations For example climate change will modulate the distribution and activity of many cyanobacteria and algal species in polar environments that contribute significantly to global carbon fixation and oxygen production Moreover many microorganisms that have remained frozen for thousands of years can revive their metabolic activity and re join the modern microbial community For survival in freezing environments polar microorganisms have established specific regulatory mechanisms which are now being challenged by new rapidly changing environmental conditions Remarkable progress has been made to uncover microbial adaptation to anthropogenic activities such as high irradiance nutritional deprivation UV B radiation heat cold desiccation and heavy metals Studies have enabled a basic understanding of gene regulatory pathways for morphological physiological metabolic and genetic adaptations to various environmental stresses To further elucidate physiological adaptation mechanisms and molecular diversity in polar regions this Research Topic is focused on microbes in polar regions looking at their biodiversity ecological adaptations the impact of climate change on their lifestyles and biotechnological application of microbes for a sustainable future

Singer 2638 Manual: Bestsellers in 2023 The year 2023 has witnessed a remarkable surge in literary brilliance, with numerous captivating novels captivating the hearts of readers worldwide. Lets delve into the realm of popular books, exploring the engaging narratives that have charmed audiences this year. Singer 2638 Manual : Colleen Hoover "It Ends with Us" This touching tale of love, loss, and resilience has gripped readers with its raw and emotional exploration of domestic abuse. Hoover masterfully weaves a story of hope and healing, reminding us that even in the darkest of times, the human spirit can prevail. Uncover the Best : Taylor Jenkins Reids "The Seven Husbands of Evelyn Hugo" This spellbinding historical fiction novel unravels the life of Evelyn Hugo, a Hollywood icon who defies expectations and societal norms to pursue her dreams. Reids compelling storytelling and compelling characters transport readers to a bygone era, immersing them in a world of glamour, ambition, and self-discovery. Singer 2638 Manual : Delia Owens "Where the Crawdads Sing" This captivating coming-of-age story follows Kya Clark, a young woman who grows up alone in the marshes of North Carolina. Owens crafts a tale of resilience, survival, and the transformative power of nature, captivating readers with its evocative prose and mesmerizing setting. These top-selling novels represent just a fraction of the literary treasures that have emerged in 2023. Whether you seek tales of romance, adventure, or personal growth, the world of literature offers an abundance of captivating stories waiting to be discovered. The novel begins with Richard Papen, a bright but troubled young man, arriving at Hampden College. Richard is immediately drawn to the group of students who call themselves the Classics Club. The club is led by Henry Winter, a brilliant and charismatic young man. Henry is obsessed with Greek mythology and philosophy, and he quickly draws Richard into his world. The other members of the Classics Club are equally as fascinating. Bunny Corcoran is a wealthy and spoiled young man who is always looking for a good time. Charles Tavis is a quiet and reserved young man who is deeply in love with Henry. Camilla Macaulay is a beautiful and intelligent young woman who is drawn to the power and danger of the Classics Club. The students are all deeply in love with Morrow, and they are willing to do anything to please him. Morrow is a complex and mysterious figure, and he seems to be manipulating the students for his own purposes. As the students become more involved with Morrow, they begin to commit increasingly dangerous acts. The Secret History is a masterful and gripping novel that will keep you guessing until the very end. The novel is a cautionary tale about the dangers of obsession and the power of evil.

https://clients.kinvolk.io/files/browse/Download_PDFS/wonder_woman_vol_5_flesh_the_new_52.pdf

Table of Contents Singer 2638 Manual

1. Understanding the eBook Singer 2638 Manual
 - The Rise of Digital Reading Singer 2638 Manual
 - Advantages of eBooks Over Traditional Books
2. Identifying Singer 2638 Manual
 - Exploring Different Genres
 - Considering Fiction vs. Non-Fiction
 - Determining Your Reading Goals
3. Choosing the Right eBook Platform
 - Popular eBook Platforms
 - Features to Look for in an Singer 2638 Manual
 - User-Friendly Interface
4. Exploring eBook Recommendations from Singer 2638 Manual
 - Personalized Recommendations
 - Singer 2638 Manual User Reviews and Ratings
 - Singer 2638 Manual and Bestseller Lists
5. Accessing Singer 2638 Manual Free and Paid eBooks
 - Singer 2638 Manual Public Domain eBooks
 - Singer 2638 Manual eBook Subscription Services
 - Singer 2638 Manual Budget-Friendly Options
6. Navigating Singer 2638 Manual eBook Formats
 - ePub, PDF, MOBI, and More
 - Singer 2638 Manual Compatibility with Devices
 - Singer 2638 Manual Enhanced eBook Features
7. Enhancing Your Reading Experience
 - Adjustable Fonts and Text Sizes of Singer 2638 Manual
 - Highlighting and Note-Taking Singer 2638 Manual
 - Interactive Elements Singer 2638 Manual
8. Staying Engaged with Singer 2638 Manual

-
- Joining Online Reading Communities
 - Participating in Virtual Book Clubs
 - Following Authors and Publishers Singer 2638 Manual
9. Balancing eBooks and Physical Books Singer 2638 Manual
- Benefits of a Digital Library
 - Creating a Diverse Reading Collection Singer 2638 Manual
10. Overcoming Reading Challenges
- Dealing with Digital Eye Strain
 - Minimizing Distractions
 - Managing Screen Time
11. Cultivating a Reading Routine Singer 2638 Manual
- Setting Reading Goals Singer 2638 Manual
 - Carving Out Dedicated Reading Time
12. Sourcing Reliable Information of Singer 2638 Manual
- Fact-Checking eBook Content of Singer 2638 Manual
 - Distinguishing Credible Sources
13. Promoting Lifelong Learning
- Utilizing eBooks for Skill Development
 - Exploring Educational eBooks
14. Embracing eBook Trends
- Integration of Multimedia Elements
 - Interactive and Gamified eBooks

Singer 2638 Manual Introduction

In the digital age, access to information has become easier than ever before. The ability to download Singer 2638 Manual has revolutionized the way we consume written content. Whether you are a student looking for course material, an avid reader searching for your next favorite book, or a professional seeking research papers, the option to download Singer 2638 Manual has opened up a world of possibilities. Downloading Singer 2638 Manual provides numerous advantages over physical copies of books and documents. Firstly, it is incredibly convenient. Gone are the days of carrying around heavy textbooks or bulky folders filled with papers. With the click of a button, you can gain immediate access to valuable resources on any device. This

convenience allows for efficient studying, researching, and reading on the go. Moreover, the cost-effective nature of downloading Singer 2638 Manual has democratized knowledge. Traditional books and academic journals can be expensive, making it difficult for individuals with limited financial resources to access information. By offering free PDF downloads, publishers and authors are enabling a wider audience to benefit from their work. This inclusivity promotes equal opportunities for learning and personal growth. There are numerous websites and platforms where individuals can download Singer 2638 Manual. These websites range from academic databases offering research papers and journals to online libraries with an expansive collection of books from various genres. Many authors and publishers also upload their work to specific websites, granting readers access to their content without any charge. These platforms not only provide access to existing literature but also serve as an excellent platform for undiscovered authors to share their work with the world. However, it is essential to be cautious while downloading Singer 2638 Manual. Some websites may offer pirated or illegally obtained copies of copyrighted material. Engaging in such activities not only violates copyright laws but also undermines the efforts of authors, publishers, and researchers. To ensure ethical downloading, it is advisable to utilize reputable websites that prioritize the legal distribution of content. When downloading Singer 2638 Manual, users should also consider the potential security risks associated with online platforms. Malicious actors may exploit vulnerabilities in unprotected websites to distribute malware or steal personal information. To protect themselves, individuals should ensure their devices have reliable antivirus software installed and validate the legitimacy of the websites they are downloading from. In conclusion, the ability to download Singer 2638 Manual has transformed the way we access information. With the convenience, cost-effectiveness, and accessibility it offers, free PDF downloads have become a popular choice for students, researchers, and book lovers worldwide. However, it is crucial to engage in ethical downloading practices and prioritize personal security when utilizing online platforms. By doing so, individuals can make the most of the vast array of free PDF resources available and embark on a journey of continuous learning and intellectual growth.

FAQs About Singer 2638 Manual Books

How do I know which eBook platform is the best for me? Finding the best eBook platform depends on your reading preferences and device compatibility. Research different platforms, read user reviews, and explore their features before making a choice. Are free eBooks of good quality? Yes, many reputable platforms offer high-quality free eBooks, including classics and public domain works. However, make sure to verify the source to ensure the eBook credibility. Can I read eBooks without an eReader? Absolutely! Most eBook platforms offer web-based readers or mobile apps that allow you to read eBooks on your computer, tablet, or smartphone. How do I avoid digital eye strain while reading eBooks? To prevent digital

eye strain, take regular breaks, adjust the font size and background color, and ensure proper lighting while reading eBooks. What the advantage of interactive eBooks? Interactive eBooks incorporate multimedia elements, quizzes, and activities, enhancing the reader engagement and providing a more immersive learning experience. Singer 2638 Manual is one of the best book in our library for free trial. We provide copy of Singer 2638 Manual in digital format, so the resources that you find are reliable. There are also many Ebooks of related with Singer 2638 Manual. Where to download Singer 2638 Manual online for free? Are you looking for Singer 2638 Manual PDF? This is definitely going to save you time and cash in something you should think about.

Find Singer 2638 Manual :

wonder woman vol 5 flesh the new 52

works of washington irving

women without men a novel of modern iran by parsipur shahrnushjanuary 10 2012 paperback

wonderful question an invitation into infinite possibilities

workaholics the respectable addicts

work keys paprprofessional study guide

women of sufism a hidden treasure

word manual 2010 lesson 102 gdp

workbooks for florida biology eoc

works manual renault megane

women in social work who have changed the world

word biblical commentary vol 47a hebrews 1 8

word to converter for mac

wonderful 1 fabric quilts

words spoken true a novel

Singer 2638 Manual :

noël carols and anthems for advent christmas and epiphany - Feb 10 2023

web carols and anthems for advent christmas and epiphany series music sales america publisher novello mixed choir editor david hill noel is an exciting collection for mixed voice choirs selected and edited by david hill

noël carols and anthems for advent christmas presto music - Jan 09 2023

web sheet music for Noël carols and anthems for advent christmas buy online satb satb published by novello co editor hill d

noël carols and anthems for advent christmas epiphany for mixed - Aug 04 2022

web buy Noël carols and anthems for advent christmas epiphany for mixed voice choirs vol 2 by hill david isbn

0884088501747 from amazon s book store everyday low prices and free delivery on eligible orders

noel 2 carols and anthems for advent christmas epiphany - Jan 29 2022

web noel 2 is an exciting collection of advent christmas and epiphany musi noel 2 carols and anthems for advent christmas

epiphany by david hill goodreads home

noël 2 carols and anthems for advent christmas and - Jun 02 2022

web Noël 2 carols and anthems for advent christmas and epiphany noten chorpartitur für gemischter chor satb klavier

epiphany for mixed voice choirs vol 2 hill david isbn 9781849382922 kostenloser versand für

noel carols and anthems for advent christmas and epiphany - Nov 07 2022

web noel carols and anthems for advent christmas and epiphany epiphany for mixed voice choirs david hill amazon co uk

books

noel 2 carols and anthems for advent christmas epiphany - Jul 15 2023

web noel 2 carols and anthems for advent christmas epiphany isbn 9781849382922 stock code nov310827 Noël 2 is an

exciting collection of advent christmas and epiphany music for mixed voice choirs which follows on from the highly acclaimed

noël

9781849382922 Noël carols and anthems for advent christmas - May 01 2022

web carols and anthems for advent christmas epiphany for mixed voice choirs vol 2 at abebooks co uk isbn 10 1849382921

isbn 13 9781849382922 music sales ltd 2009 softcover 9781849382922 Noël

various noel boosey hawkes - Dec 08 2022

web carols and anthems for advent christmas and epiphany for mixed voice choirs various editor hill david series the novello

choral programme vol no 1 department choral christmas choral instrumentation satb publisher novello catalogue no

nov310800 shop product code 142910n 21 32 bulk discounts available 19 19 if

9781849382922 noel 2 carols and anthems for advent christmas - Mar 31 2022

web abebooks com noel 2 carols and anthems for advent christmas epiphany 9781849382922 and a great selection of similar

new used and collectible books available now at great prices 9781849382922 noel 2 carols and anthems for advent christmas

epiphany 1849382921 abebooks

forwoods scorestore noel carols and anthems for advent christmas - Feb 27 2022

web jan 20 2019 *noël 2 carols and anthems for advent christmas and epiphany* published by novello 16 99 16 14

noel 2 carols and anthems for advent christmas epiphany - Sep 05 2022

web nov 1 2009 *noel 2 carols and anthems for advent christmas epiphany* hal leonard corp hill david on amazon com free shipping on qualifying offers *noel 2 carols and anthems for advent christmas epiphany*

noël 3 carols and anthems for advent christmas epiphany - Dec 28 2021

web nov 18 2013 *listen to Noël 3 carols and anthems for advent christmas epiphany* feat david hill by rsvp voices on apple music stream songs including *in the bleak mid winter* feat david hill *ding dong merrily on high* feat david hill and more

noel carols and anthems for advent christmas and epiphany - Jul 03 2022

web dec 1 2003 *noel carols and anthems for advent christmas and epiphany* hill david on amazon com free shipping on qualifying offers *carols and anthems for advent christmas and epiphany*

noël carols and anthems for advent christmas presto music - May 13 2023

web *noël 2* is an exciting collection of advent christmas and epiphany music for mixed voice choirs which follows on from the highly acclaimed *noël volume 1 catalogue* no nov310800 the contents range from the renaissance to the present from byrd and sweelinck via bach familiar settings of traditional and lesser known carols through the

[noël carols and anthems for advent christmas epiphany](#) - Mar 11 2023

web *listen to Noël carols and anthems for advent christmas epiphany* on spotify rsvp voices album 2013 20 songs

[noël carols and anthems for advent christmas satb](#) - Apr 12 2023

web *noël 2* is an exciting collection of advent christmas and epiphany music for mixed voice choirs which follows on from the highly acclaimed *noël volume 1 catalogue* no nov310800 the contents range from the renaissance to the present from byrd and sweelinck via bach familiar settings of traditional and lesser known carols through the

[noel 2 carols and anthems for advent christmas ep 2023](#) - Aug 16 2023

web *noel 2 carols and anthems for advent christmas ep* is available in our digital library an online access to it is set as public so you can download it instantly our digital library hosts in multiple locations allowing you to get the most less latency time to download any of our books like this one merely said the *noel 2 carols and anthems for*

[noel 2 carols and anthems for advent christmas epiphany](#) - Jun 14 2023

web advent christmas and *noël carols and anthems for advent christmas presto singers mixed voice christmas choral recordings list of christmas carols noel 2 carols amp anthems for advent christmas amp epiphany* *noël 2 carols and anthems for advent christmas and noël 2 carols and anthems for advent christmas* *noël carols and*

noël carols and anthems for advent christmas mixed choir - Oct 06 2022

web *noel* is an exciting christmas collection for mixed voice choirs selected and edited by david hill featuring a beautiful

selection of carols and festive pieces these traditional and modern pieces have been wonderfully arranged the contents range from the renaissance to the present featuring read full description

bahçe ve tarla bitkileri bölümü ienstitu - Dec 12 2021

web oct 9 2022 kısa kısa atatürk arboretumu hakkında 296 hektarlık bir alan üzerinde oluşturulmuş olan atatürk arboretumu osmanlı döneminden kalan kirazlıbent ve 1916

trattato di botanica forestale vol 1 ecoalleco - Oct 22 2022

web 1 trattato di botanica forestale 1 abete bianco selvicoltura e restauro delle abetine oct 04 2021 l abete bianco abies alba mill è una delle specie arboree più importanti per il

trattato di botanica forestale 1 parte generale e gimnosperme vol 1 - Sep 01 2023

web trattato di botanica forestale 1 parte generale e gimnosperme vol 1 grossoni grossoni amazon it libri

pdf trattato di botanica forestale 1 - Feb 11 2022

web trattato di botanica forestale 1 is available in our digital library an online access to it is set as public so you can get it instantly our digital library spans in multiple countries

i 10 migliori libri di scienze forestali notizie scientifiche it - Jul 19 2022

web trattato di botanica forestale 1 download gratis download trattato di botanica forestale 1 libro trattato di botanica forestale 1 pdf gratis italiano

trattato di botanica forestale 1 pqr uiaf gov co - Jan 13 2022

web oct 1 2020 tarla bitkileri kapsamında ise baklagiller tahıllar endüstriyel bitkiler ve yem bitkileri yer alıyor bahçelerde tarlalarda bağlarda seralarda karşılaşılan sorunlar

trattato di botanica forestale 1 for pdf free books - Mar 15 2022

web trattato di botanica forestale 1 annali dell istituto sperimentale per la selvicoltura feb 04 2022 bullettino provinciale delle leggi e degli atti ufficiale per la lombardia may 07

scarica trattato di botanica forestale 1 libro pdf paolo grossoni - Jun 17 2022

web apr 12 2018 trattato di botanica forestale vol 1 parte generale e gimnosperme filippo bussotti piero paolo grossoni romano gellini il regno vegetale cd rom

scarica trattato di botanica forestale 1 pdf paolo grossoni - May 17 2022

web nuovo dizionario universale e ragionato di agricoltura economia rurale forestale compilato sulle opere dei piu celebri autori italiani e stranieri da una societa di dotti e di

trattato di botanica forestale parte generale e gimnosperme - Jan 25 2023

web may 10 2018 trattato di botanica forestale parte generale e gimnosperme vol 1 grossoni paolo bruschi piero bussotti

filippo selvi federico amazon com au books

trattato di botanica forestale 1 2023 solutions milnerbrowne - Apr 15 2022

web trattato di botanica forestale 1 find here trattato di botanica forestale 1 ebook for free download pdf read trattato di botanica forestale 1 book online now you also

pdf trattato di botanica forestale 1 - Sep 20 2022

web trattato di botanica forestale vol 1 parte generale e gimnosperme by unknown author and a great selection of related books art and collectibles available now at

trattato di botanica forestale 1 parte generale e gimnosperme - May 29 2023

web acquista online il libro trattato di botanica forestale 1 parte generale e gimnosperme di paolo grossoni piero bruschi bussotti federico selvi in offerta a prezzi

trattato di botanica forestale 1 parte generale e gimnosperme - Oct 02 2023

web trattato di botanica forestale vol 1 parte generale e gimnosperme trattato di botanica forestale 1 parte generale e gimnosperme paolo grossoni piero bruschi

trattato di botanica forestale - Apr 27 2023

web 1 1 a trattato di botanica forestale 3 lo11766438 606 a piante forestali x botanica 2 fir 3 cfic281553 9 n 676 a 581 73 9 piante caratteristiche delle zone

botanica forestale vol gimnosperme abebooks - Aug 20 2022

web oct 17 2022 i tre migliori libri di scienze forestali su amazon sono botanica sistematica un approccio filogenetico trattato di botanica forestale 1 parte generale e

trattato di botanica forestale vol 1 libreria universitaria - Dec 24 2022

web descrizione quest opera è un testo universitario rivolto principalmente agli studenti dei corsi di laurea indirizzati alla gestione e alla progettazione del verde e alla comprensione del

İstanbul da sonbahar rotası önerisi atatürk arboretumu - Nov 10 2021

trattato di botanica forestale vol 1 parte generale e - Jun 29 2023

web trattato di botanica forestale vol 1 parte generale e gimnosperme è un libro di paolo grossoni piero bruschi filippo bussotti pubblicato da cedam acquista su

trattato di botanica forestale vol 1 parte generale e - Jul 31 2023

web trattato di botanica forestale vol 1 parte generale e gimnosperme è un libro di paolo grossoni piero bruschi filippo bussotti pubblicato da cedam acquista su ibs a

trattato di botanica forestale 1 parte generale e hoepli - Feb 23 2023

web trattato di botanica forestale 1 parte generale e gimnosperme è un libro di grossoni paolo bruschi piero bussotti filippo selvi federico edito da cedam a maggio 2018

trattato di botanica forestale 1 parte generale e gimnosperme - Mar 27 2023

web trattato di botanica forestale 1 parte generale e gimnosperme vol 1 di grossoni su abebooks it isbn 10 8813363230 isbn 13 9788813363239 cedam 2018 brossura

dep grossoni trattato botanica forestale 1 9788813363239 - Nov 22 2022

web trattato di botanica forestale vol 1 35 00 parte generale e gimnosperme la botanica forestale è la disciplina che studia le piante legnose nei loro aspetti morfologici

dmrc cisf posting list pdf pdf bukuclone ortax - Jul 14 2023

web dmrc cisf posting list pdf introduction dmrc cisf posting list pdf pdf bsf rph editorial board 2020 10 this book has been specially published for the aspirants of border security force bsf constable tradesman recruitment exam the book comprises along with the study and practice material a

dmrc cisf posting list pdf pdf china int indonesia travel - Jan 28 2022

web dmrc cisf posting list pdf introduction dmrc cisf posting list pdf pdf quantitative aptitude quantum cat sarvesh k verma 2020 08 13 1 quantum cat the bestselling study guide for management entrances 2 the entire syllabus has been divided into 21 chapters 3 every chapter is accompanied with cat test for quick

cisf dmrc posting list vod transcode uat mediacp net - Oct 05 2022

web cisf dmrc posting list english for competitive examinations includes descriptive and objective tests logical and analytical reasoning useful for all competitive exams general knowledge 2020 rrb common preliminary exam for non technical cadre clinical pathology a practical manual essential quantitative aptitude for competitive

cisf dmrc posting list autoconfig sureoak - Sep 04 2022

web you have remained in right site to begin getting this info acquire the cisf dmrc posting list join that we find the money for here and check out the link you could buy lead cisf dmrc posting list or acquire it as soon as feasible you could quickly download this cisf dmrc posting list after getting deal

İstanbul src eğitim kurumları - Jan 08 2023

web biz kimiz İstanbul src eğitim kurumu İstanbul src eğitim kurumu mesleki yeterlilik eğitimleri vermek üzere kurulmuştur kaliteli eğitim anlayışını ilke edinen kurumumuz deneyimli ve uzman kadrosu ile src belgeleri için gerekli mesleki yeterlilik eğitimlerini uygulamakta sınavlarda 100 başarıyı hedeflemekte en önemlisi lider ve gelişmekte

4 b sözleşmeli personel giriş sözlü sınavına - May 12 2023

web 4 b sÖzleşmeİ personel gİrİŞ sÖzlÜ sinavına katılacaklara aİt İste koruma ve gÜvenİlk gÖrevİsİ 56 25 452 seyit can karadaĖ İstanbul İlse 71 6958 57 74 714 ahmet gÖkoĖlanoĖlu İstanbul İlse 71 65156 58 56 056 tayfun torun İstanbul İlse 71 64073 59 23 520 ali gazelcİ İstanbul İlse 71 54921

cisf dmrc posting list pdf 2023 networks kualumni - Mar 30 2022

web cisf dmrc posting list pdf introduction cisf dmrc posting list pdf 2023 accumulation in post colonial capitalism iman kumar mitra 2016 07 29 this volume looks at how accumulation in postcolonial capitalism blurs the boundaries of space institutions forms financial regimes labour processes and economic segments on one hand

posting cisf yumpu - Jun 13 2023

web aug 17 2013 posting cisf epaper read download epaper tags delhi dmrc singh ptps bhel othpp obra kumar parichha atpp posting cisf nic in you also want an epaper increase the reach of your titles yumpu automatically turns print pdfs into web optimized epapers that google loves start now hkkjr ljdkj br

dmrc İnŞaat metİN demİrcİ Şİşli İstanbul telefon adres - Mar 10 2023

web apr 8 2013 dmrc İnŞaat metİN demİrcİ Şİşli İstanbul İletİşim bilgileri adresi telefon numarası e posta adresi web sitesi firma hakkında en gÜncel bilgileri bu sayfada bulabilirsiniz

cisf dmrc posting list test naf - Aug 03 2022

web jun 18 2023 you could buy handbook cisf dmrc posting list or get it as soon as workable if you effort to acquire and implement the cisf dmrc posting list it is wholly simple then presently we extend the associate to buy and create bargains to download and install cisf dmrc posting list therefore easy it is not around by word of mouth the

dmrc group turİzm İlmİted Şİrketİ - Dec 07 2022

web mar 25 2022 firma bilgileri Ünvanı dmrc group turİzm İlmİted Şİrketİ firma türü tek ortaklı İlmİted Şİrket kuruluş tarihi 18 mart 2022 cuma sermaye 1 000 000 00 vergi dairesi İstanbul kaĖithane vergİ daİresİ vergi numarası

dmrc cisf posting list help environment harvard edu - Nov 06 2022

web we have the funds for dmrc cisf posting list and numerous book collections from fictions to scientific research in any way accompanied by them is this dmrc cisf posting list that can be your partner

2022 yılı tercüman İlanı hakkında İstanbul adlıyesİ - Jul 02 2022

web t c adalet bakanlıĖı İstanbul adli yargı İlk derece mahkemesi adalet komisyonu başkanlıĖından İ l a n 04 12 2004 tarihli ve 5271 sayılı ceza muhakemesi kanununun 202 nci maddesine dayanılarak hazırlanan 28578 sayılı resmi gazetede 05 03 2013 tarihinde yayımlanarak yürürlüĖe giren ceza muhakemesi kanununa göre İl adli yargı

dmrc cisf posting list bespoke cityam - Jun 01 2022

web may 15 2023 dmrc cisf posting list dmrc cisf posting list cisf latest posting list 2 bing shutupbill com cisf asg posting

list alicante2017 net cisf official site cisf latest news videos

[cisf unit delhi metro rail corporation wikipedia](#) - Aug 15 2023

web the present deployed strength of the cisf unit dmrc is of around 9 000 personnel out of which 7 000 are posted and rest are on internal security duty in 2019 the ministry of home affairs approved 5 000 additional personnel for the unit

[src5 mesleki yeterlilik sınav başvuru güncelle e devlet kapısı](#) - Feb 09 2023

web src5 mesleki yeterlilik sınav başvuru güncelle henüz kimliğinizi doğrulamadınız bu hizmetten faydalanmak için aşağıdaki kimlik doğrulama yöntemlerinden sizin için uygun olan bir tanesini kullanarak sisteme giriş yapmış olmanız gerekmektedir e devlet Şifresi mobil İmza elektronik İmza t c kimlik kartı

dmrc cisf posting list pdf voto uncal edu br - Dec 27 2021

web dmrc cisf posting list pdf dmrc cisf posting list pdf book review unveiling the power of words in some sort of driven by information and connectivity the power of words has are more evident than ever they have the capability to inspire provoke and ignite change such is the essence of the book dmrc cisf posting list pdf a literary

[cisf dmrc posting list pdf free black ortax](#) - Feb 26 2022

web cisf dmrc posting list pdf pages 3 12 cisf dmrc posting list pdf upload mita r paterson 3 12 downloaded from black ortax org on september 2 2023 by mita r paterson has been designed with a new approach to fundamental concepts and changing pattern of competitive exams it

dmrc İnŞaat metİN demİrcİ ŞİŞİİ İstanbul İnŞaat - Apr 30 2022

web apr 8 2013 Ünvanı dmrc İnŞaat metİN demİrcİ kuruluş tarihi 8 nisan 2013 pazartesi ticaret odası İstanbul tİcaret odasi sicil numarası 862909 nace kodu 412002

dmrc cisf posting list pqr uiaf gov co - Apr 11 2023

web dmrc cisf posting list getting the books dmrc cisf posting list now is not type of inspiring means you could not only going bearing in mind book heap or library or borrowing from your friends to open them this is an completely easy means to specifically acquire lead by on line this online pronouncement dmrc